

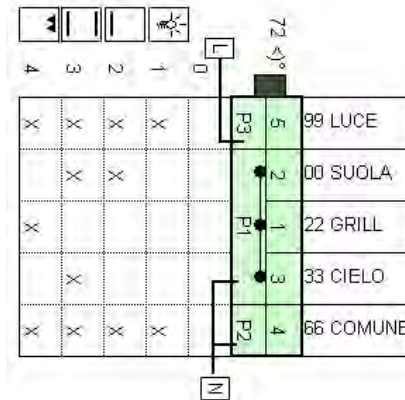
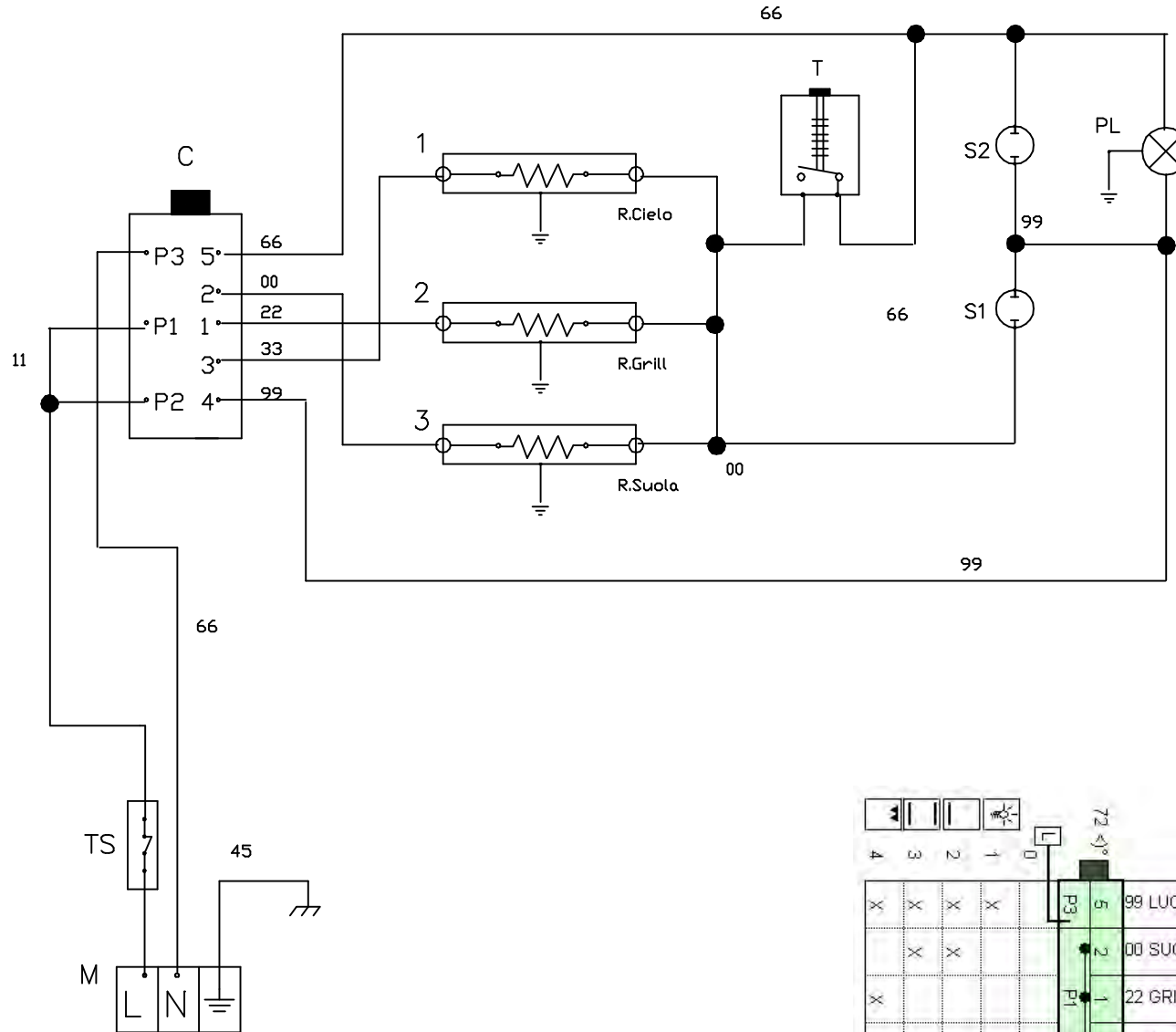
CODICE

000000752-0

DESCRIZIONE

240000752 GRUPPO EL. B500E 4+0 RCIE+RGRI+2S S/TT
1110000752 CABLAGGIO B500EC 4+0 C/GRILL S/G.S/TT
1110000002 COMM. 4+0 46.25886.580
1110000431 FASCETTA SERRACAVO BIANCA
1110000458 LUCE SPIA GIALLA C/RES. ANTIL.TFL656PZT
1110000459 LUCE SPIA VERDE C/RES. ANTIL.TFL656PZ2

DATA	02/12/02	DIS. DB
MODIFICHE		DIS.
VISTO	U.T.	C.Q.



LuceFC=LUCE FINE COTTURA/END COOKING LIGHT

- A = ACCENSIONE/IGNITION
 - BP=BLOCCO PORTA/DOOR LOCKING SYSTEM
 - C = COMMUTATORE/SELECTOR
 - C1 = COMMUT./SELECT.
 - CA = CATALIZZATORE/CATALYST SYSTEM
 - CM = COMMUT.PIASTRA/PLATE SELECT.
 - D = DECODER TERMOSTATO/THERMOSTAT DEC.
 - D1 = DECODER COMMUTATORE/SELECTOR DEC.
 - FC = FINE COTTURA/END COOKING (120 min.)
 - G = GIRAROSTO/TURNSPIT
 - H = FILTRO ANTIDISTURBO/RADIO INTERFERENCE
 - IA = MICRO ACCENSIONE/IGNITION SWITCH
 - IG = MICRO GRILL/GRILL SWITCH
 - IP = MICRO PORTA/DOOR SWITCH
 - L = FASE/LIVE
 - M = MORSETTIERA/TERMINAL BLOK
 - M1 = MORSETTO LUCE PIANO/TERMINAL BLOK HOB SIGNAL LAMP
 - MP = MANOPOLA TERM./KNOB THERM.
 - MP1 = MANOPOLA COMMUTATORE/SELECTOR KNOB
 - N = NEUTRO/NIUTER
 - OA= OROLOGIO ANALOGICO/ANALOGUE CLOCK
 - PA = PROG.ANALOGICO/ANALOGUE TIMER
 - PE = PROG.ELETTRONICO/ELECTRONIC TIMER
 - PL = LUCE FORNO/OVEN LIGHT
 - PM = PROG.MECCANICO/MECHANICAL TIMER
 - RE = REG.DI ENERGIA/ENERGY REG.
 - SC = SCHEDA LED ICONE CIRCOLARI/LED WITH CIRCULAR ICONS
 - SL = SCHEDA LED LINEARE CON DISPLAY/LINEAR LED WITH DISPLAY
 - S1 = SPIA TERMOSTATO/THERM. SIGNAL LAMP (GIALLA/YELLOW)
 - S2 = SPIA/SIGNAL LAMP (VERDE/GREEN)
 - S3 = SPIA BL.PORTA/LOCKING DOOR S.LAMP
 - S4 = SPIA PIROLISI/PYROLITIC S.LAMP
 - SR = SPIA REG.DI ENERGIA/ENERGY REG.
 - ST = SPIA VENTILATORE/COOLING FAN S.LAMP
 - T = TERMOSTATO/THERMOSTAT
 - TL = BAR-GRAPH TERMOSTATO/THERMOSTAT B.-G.
 - TL1 = BAR/GRAPH COMMUTATORE/SELECTOR B.-G.
 - TP = TERMOSTATO PIROLITICO/THERMOSTAT PYROLITIC
 - TS = TERM.DI SICUREZZA/THERMAL CUT-OUT
 - TT = TERM.VENTILATORE/COOLING FAN THERM.
 - VR = VENTILATORE RADIALE/FAN MOTOR
 - VT = VENTILATORE RAFFR./COOLING FAN
 - KG = MESSA A TERRA GIRAROSTO/EARTING TERMINAL TURNSPIT
 - KPL = M.T. PORTALAMPADA/H.T. LAMP HOLDER
 - KRSUP = M.T. RESIST.SUPERIORE/H.T. TOP ELEM.
 - KRINF = M.T. RESIST.INFERIORE/H.T. BOTTOM ELEM.
 - KVR = M.T. MOT.RADIALE/H.T. FAN MOTOR
 - KRCIR = M.T. RESIST.CIRCOLARE/H.T. CIRCULAR ELEM.
 - KT = M.T. TERMOST. A GAS/H.T. GAS THERMOST.
 - KPE = M.T. PROG./H.T. TIMER
 - KVT = M.T. VENTILATORE/H.T. COOLING FAN
 - KP = M.T. PIANO/H.T. HOB
 - Ktel = M.T. TELAIO/H.T. OUTER FRAME
 - 1 = RESISTENZA CIELO/TOP HEATING ELEM.
 - 2 = RESISTENZA GRILL/GRILL HEATING ELEMENT
 - 3 = RESISTENZA SUOLA/BOTTOM HEATING ELEMENT
 - 4 = RESISTENZA CIRCOLARE/CIRCULAR HEATING ELEM.
- | | |
|-------|--------------------------------|
| IT/CB | 00 = NERO/BLACK |
| | 11 = MARRONE/BROWN |
| | 22 = ROSSO/RED |
| | 33 = ARANCIONE/ORANGE |
| | 44 = GIALLO/YELLOW |
| | 45 = GIALLO-VERDE/YELLOW-GREEN |
| | 66 = BLU/BLUE |
| | 77 = VOLA/VIOLET |
| | 88 = GRIGIO/GREY |
| | 99 = *BIANCO/WITHE (*B-W) |
| | 00 = *B-NERO/W-BLACK |
| | 01 = *B-MARRONE/W-BROWN |
| | 02 = *B-ROSSO/W-RED |
| | 03 = *B-ARANCIONE/W-ORANGE |
| | 04 = *B-GIALLO/W-YELLOW |
| | 05 = *B-VERDE/W-GREEN |
| | 06 = *B-BLU/W-BLUE |
| | 07 = *B-VOLA/W-VIOLET |
| | 08 = *B-GRIGIO/W-GRY |